

Fitting Instructions - Read instructions carefully before fitting and follow them for correct use

VG49 / VG153 / VG154 / VG168 / VG234 / VG281

Gutter Fixing ULTI Bars



SUPPLIED COMPONENTS		#	DESCRIPTION	QTY 1 BAR	QTY 2 BAR	QTY 3 BAR	QTY 4 BAR
	1	GUTTER BRACKET - LEFT	1	2	3	4	
	2	GUTTER BRACKET - RIGHT	1	2	3	4	
	3	GUTTER FIXING CLAMP	2	4	6	8	
	4	TOP HAT	2	4	6	8	
	5	ROOF BAR	1	2	3	4	

SUPPLIED FIXING KIT		#	DESCRIPTION	QTY 1 BAR	QTY 2 BAR	QTY 3 BAR	QTY 4 BAR
	1	M6X70 COACH BOLT	4	8	12	16	
	2	M6X25 COACH BOLT	4	8	12	16	
	3	M6 FLANGE NUT	8	16	24	32	

This FITTING INSTRUCTION is the property of VAN GUARD ACCESSORIES LTD. and must not be used for manufacturing purposes, copied nor communicated in any way to third parties without written permission from VAN GUARD ACCESSORIES LTD.
IN8074_B - IW - 29/03/2016

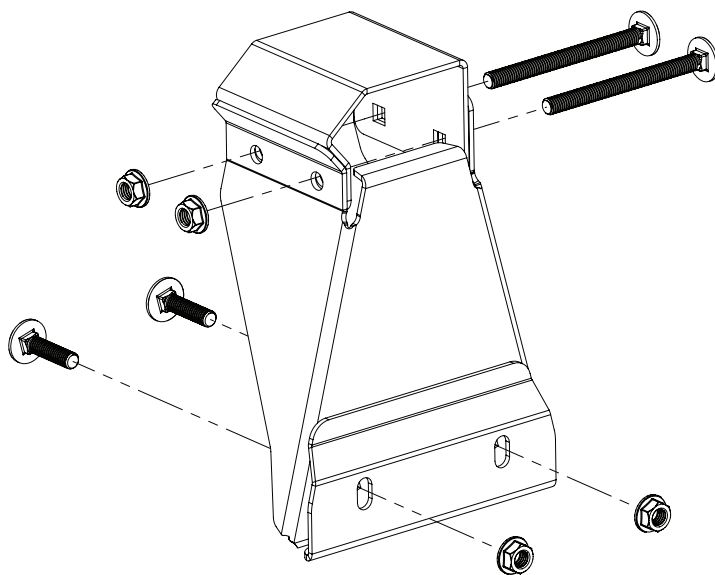
Van Guard Accessories Ltd
Fair Oak Close, Exeter Airport Business Park,
Exeter, Devon, EX5 2UL
www.van-guard.co.uk

TOOLS REQUIRED

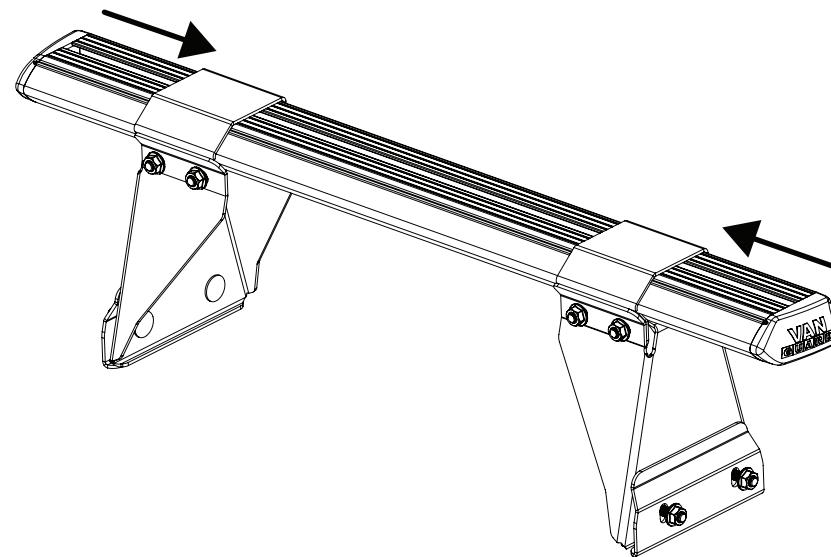
10MM X 1



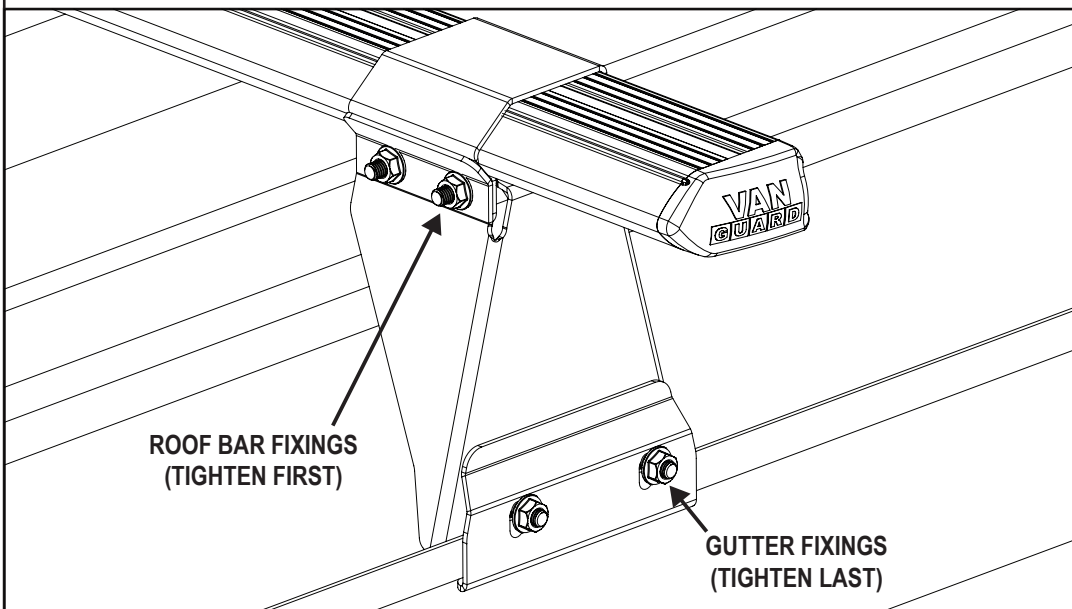
1 Loosely assemble the gutter brackets as shown below.



2 Slide the assembled gutter fixing brackets onto both sides of each roof bar. If fitting a rear roller, fit the roller brackets to the roof bar before sliding the gutter brackets on.



3 Place the assemblies from step 2 onto the vehicles fixing gutter. Once in position tighten the roof bar fixings first followed by the gutter bracket fixings. **Tighten fixings to 8Nm.**



4 Periodically check all fixings.



NOTES:

Maximum load is 55kg per bar. Please check that the vehicle manufacturers load bearing capacity for the roof is not exceeded. (Refer to the vehicle handbook)
Periodically check all fixings.
Retain these instructions for future reference.